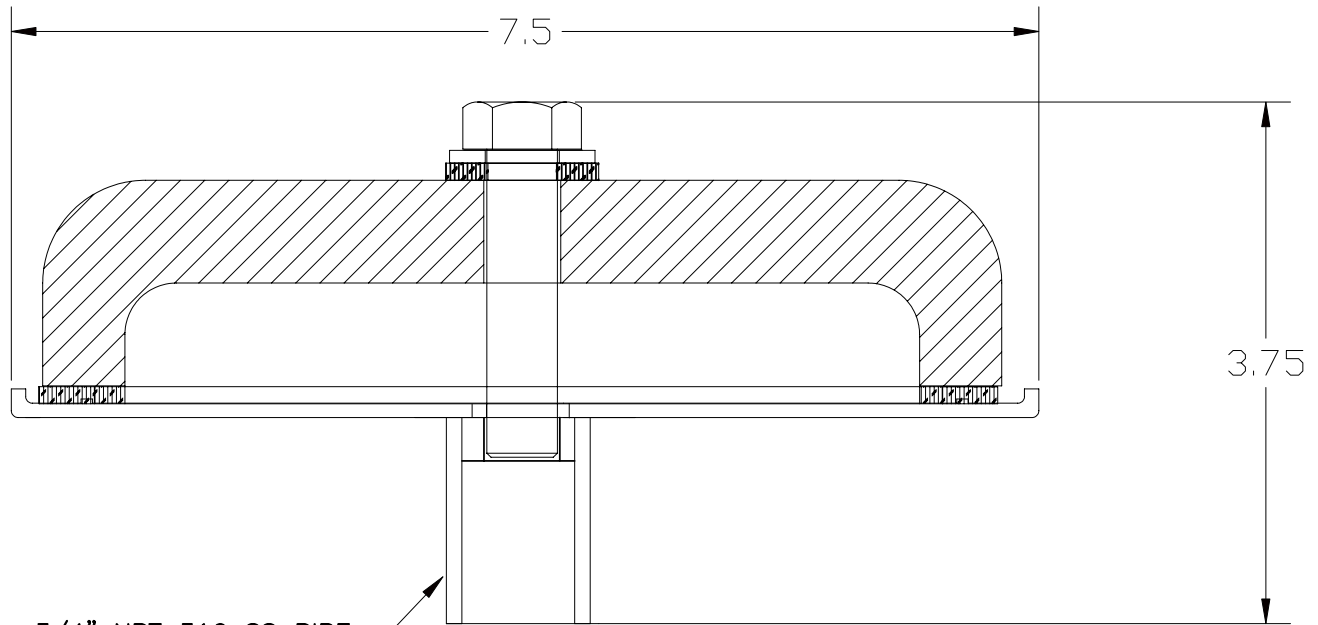


DATE	CHANGES	by	REV



3/4" NPT 316 SS PIPE
NIPPLE SCH 80 , AIRTIGHT WELD

Unless otherwise
Specified Tolerances
on dimensions shall be:

.X = ± -
.XX = ± -
.XXX = ± -
.XXXX = ± -
Fractions = ± -
Angles = ± -

Material:

THIS DOCUMENT CONTAINS
PROPRIETARY INFORMATION
AND SHALL NOT BE REPRO-
DUCED IN ANY MANNER
WITHOUT THE PRIOR WRITTEN
CONSENT OF FILTROS LIMITED

Drawn:

Date:

Checked:

Date:

Approved:

Date:

Rev 00
Sheet 1 of 1

 Filtros Ltd.

Title:
Dome Diffuser Assembly